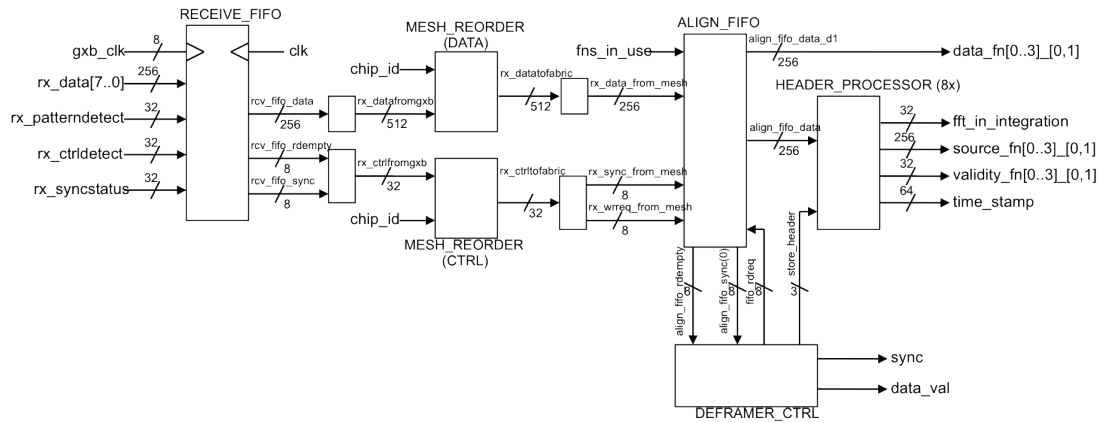


BN_DEFRAMER

The BN_DEFRAMER receives the frames from the GXB interface, aligns them and disassembles the header and data fields. The data is then sent to the corner turner module.

Block diagram



BN_DEFRAMER block diagram